

Tiandy



TC-C34LP Spec: I5/E/T/4mm

Thermal & Optical Bi-spectrum Network Bullet Camera



KEY FEATURES

- Supports optical and thermal bi-spectrum image
- Vanadium Oxide Uncooled Focal Plane Arrays
- Thermal Resolution 256×192, output resolution up to 1280×960@25fps
- Measure Accuracy $\pm 0.5^{\circ}\text{C}$, ($\pm 0.3^{\circ}\text{C}$ with blackbody)
- Optical Resolution up to 2560×1440@25fps
- Optical Min. illumination Color: 0.0002Lux@F1.0
- Built-in Mic& Speaker
- POE, IP67



Tiandy Technologies Co.,Ltd.

Email: sales@tiandy.com

Tel: +86-22-58596065

Website: en.tiandy.com

Fax: +86-22-58596048



SPECIFICATIONS

Thermal Module	
Image Sensor	Vanadium Oxide Uncooled Focal Plane Arrays
Max. Resolution	256×192
Pixel Interval	12μm
Response Waveband	8 μm to 14 μm
Focus	3.2mm
NETD	≤50mK@25°C, F1.1, 25Hz
Measurement Range	30°C (86°F) to 45°C (113°F)
FOV	Horizontal field of view: 51°
Measurement Accuracy	±0.5°C
Measurement Distance	0.5m~3m
Optical Module	
Image Sensor	1/1.8" CMOS
Signal System	PAL/NTSC
Min. Illumination	Color: 0.0002Lux@ (F1.0, ACG ON), B/W: 0Lux with IR
Shutter Time	1s to 1/100,000s
Day & Night	Dual IR Cut Filter with Auto Switch
Wide Dynamic Range	120dB
Lens	
Lens Type	Fixed
Focus	4mm
Lens Mount	M12
Aperture	F1.0
FOV	Horizontal field of view: 90°
Illuminator	
IR LEDs	N/A
IR Range	N/A
Wavelength	N/A
White LEDs	1
Compression Standard	
Video Compression	S+265/H.265/H.264/M-JPEG
Video Bit Rate	32 Kbps to 16 Mbps
Audio Compression	G.711A/G.711U/ADPCM/AAC
Audio Bit Rate	8K~48Kbps
Image	
Max. Resolution	2560×1440
Main Stream	PAL: 25fps (2560×1440, 1920×1080, 1280×720, 704×576), Thermal: 25fps (1280×960, 1024×768, 640×480, 256×192) NTSC: 25fps (2560×1440, 1920×1080, 1280×720, 704×576), Thermal: 25fps (1280×960, 1024×768, 640×480, 256×192)
Sub Stream	PAL: 25fps (704×576, 640×360, 352×288) NTSC: 25fps (704×576, 640×360, 352×288)
Third Stream	1920×1080, 1280×720, 704×576, 640×480, 352×288
Image Setting	Saturation, brightness, contrast, sharpness, adjustable by client software or web browser
Image Enhancement	BLC/3D DNR/HLC
ROI	Support 7 fixed region of coding
OSD	16×16, 24×24, 32×32, 48×48, 64×64, 96×96, adaptable size, Letters Such as Week, Date, Time, Total 5 Regions
Picture Overlay	Yes
Privacy Mask	Yes
Smart Defog	Yes



SPECIFICATIONS

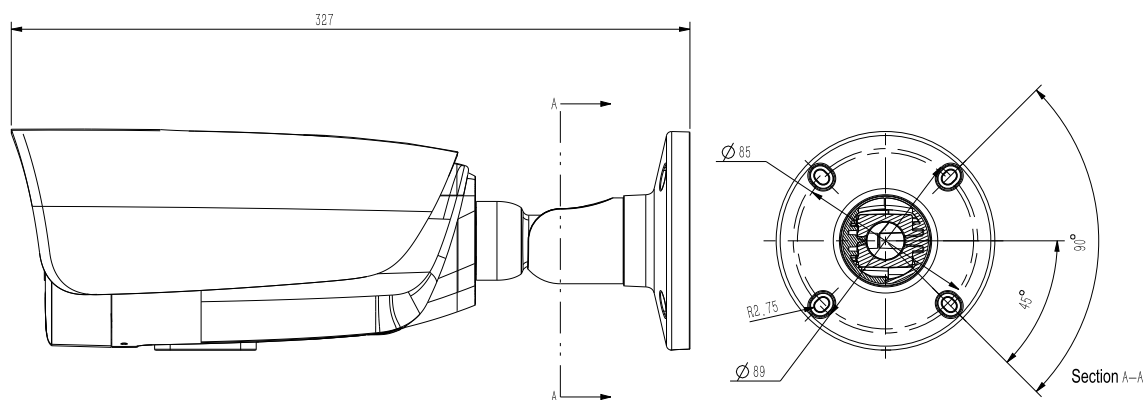
Feature	
Alarm Trigger	Event Input, Event Output, Motion Detection, Mask Alarm, Disk Full, Disk R/W Error, IP Address Conflict, MAC Address Conflict, FTP Server Exception
Video Analytics	Tripwire, Double Tripwire, Perimeter, Object Abandon, Object Lost, Loitering, Running, Parking, Video Abnormal, Audio, Abnormal
Early Warning(EW)	Yes
Network	
ANR	Yes, auto store video in SD card when NVR disconnected, and upload video to NVR when resumed connection (Only Support Tiandy ANR NVR)
Protocols	TCP/IP, ICMP, HTTP, HTTPS, DHCP, DNS, DDNS, MULTICAST, UPnP, FTP, IPV4, NTP, RTSP, SMTP, IGMP, 802.1X, QoS, PPPoE
System Compatibility	ONVIF (PROFILE S), SDK, CGI, P2P
Remote Connection	≤7
Client	Easy7
Web Version	Web6
Interface	
Communication Interface	1 RJ45 10M/100M self adaptive Ethernet port
Audio	1/1, Mic in
Alarm	2/1
Reset Button	Yes
On-board storage	Built-in MicroSD card slot, up to 256 GB
General	
Firmware Version	-
Web Client Language	15 languages English, Russian, Spanish, Korean, Italian, Turkish, Simple Chinese, Traditional Chinese, Thai, French, Polish, Dutch, Hebraism, Farsi, Arabic
Operating Conditions	10~30°C
Power Supply	DC12V±20%/PoE
Power Consumption	MAX: 8W
Protection	IP67
Heater	N/A
Dimensions	224×114×107 mm (8.81×4.49×4.21 inch)
Weight	1.3kg (2.87lb)

* Listed resolutions are only selectable options. It does not mean that all streams can work at their maximum resolution at the same time.

AVAILABLE MODEL

TC-C34LP SPEC:I5/E/T/4MM

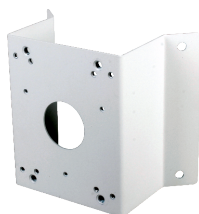
DIMENSIONS (Unit: mm)



ACCESSORIES



A36
Pole Mount



A35
Corner Mount



TC-P54AM Spec:V4
Junction Box



A22
Junction Box

DISTRIBUTED BY



Tiandy Technologies Co.,Ltd.

Email: sales@tiandy.com
Website: en.tiandy.com

Tel: +86-22-58596065
Fax: +86-22-58596048